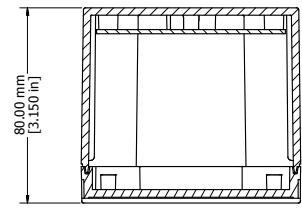
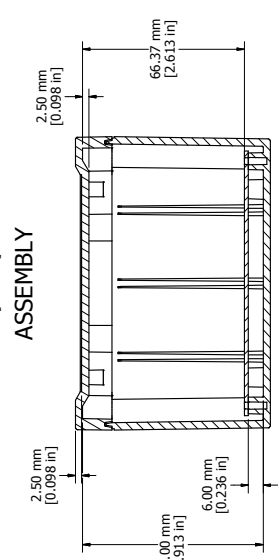
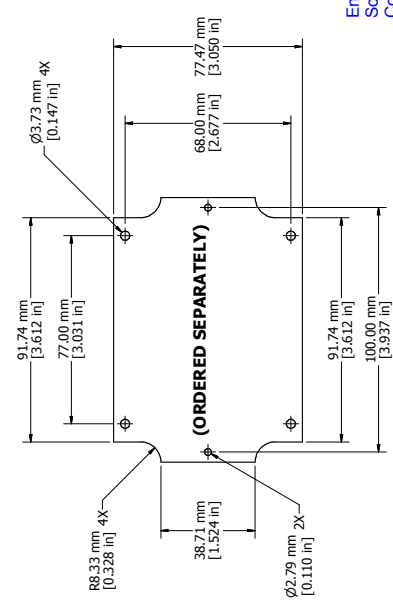


ASSEMBLY

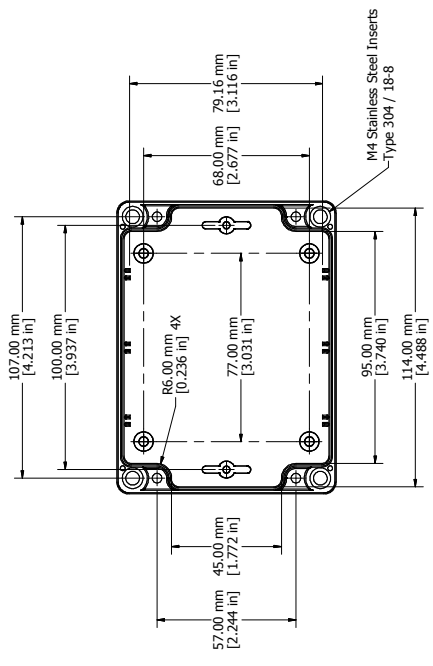


SECTION A-A

**UL** US LISTED  
File #E65324  
NEMA 4, 4X

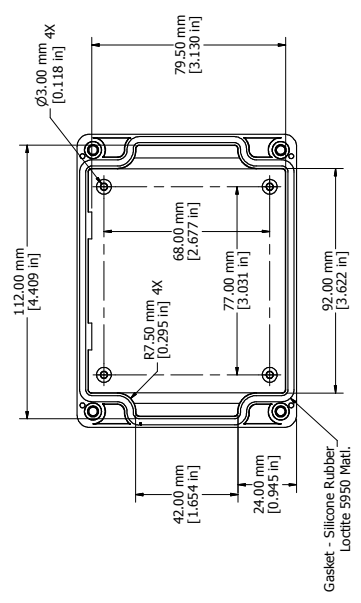


STEEL INNER PANEL

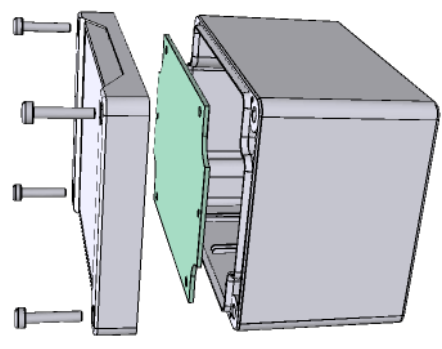


SECTION B-B

BOX - INSIDE



LID - INSIDE



Enclosures can be Factory Modified (Milling, Drilling, Printing etc.)  
Solid models of this enclosure available in STEP or IGES.  
Contact Factory [mjmi@hammondmg.com](mailto:mjmi@hammondmg.com)

**NOTE**  
Purchased assembly includes box, lid, and 4 cover screws  
Cover screws should be torqued to 2.5 lbf-in (30 cN-m)  
Polycarbonate version is UL 508 approved

1555G	
1555G Regular Enclosure	
General Purpose ABS RAL-7035 UL94 - HB	1555GGY
Polycarbonate RAL-7035 UL94 - V0 / 5VA @ 3mm	1555G2GY
<b>ACCESSORIES</b>	
Heavy Duty 16 Gauge Galvanized Steel Panels	1554FPPL
Steel Panel / P.C. Board Machine Screw	1591MM100
Steel Panel / P.C. Board Self Tapping Screw	1598ATS100
#16 X 1/4" (6.4mm) Nickel Plated	
Cover Screws (Pkg 4)	SC1554
[M4 X 20mm Type 304 Stainless Steel]	



**HAMMOND**  
**MANUFACTURING**<sup>TM</sup>

1555G

[www.hammondmg.com](http://www.hammondmg.com)